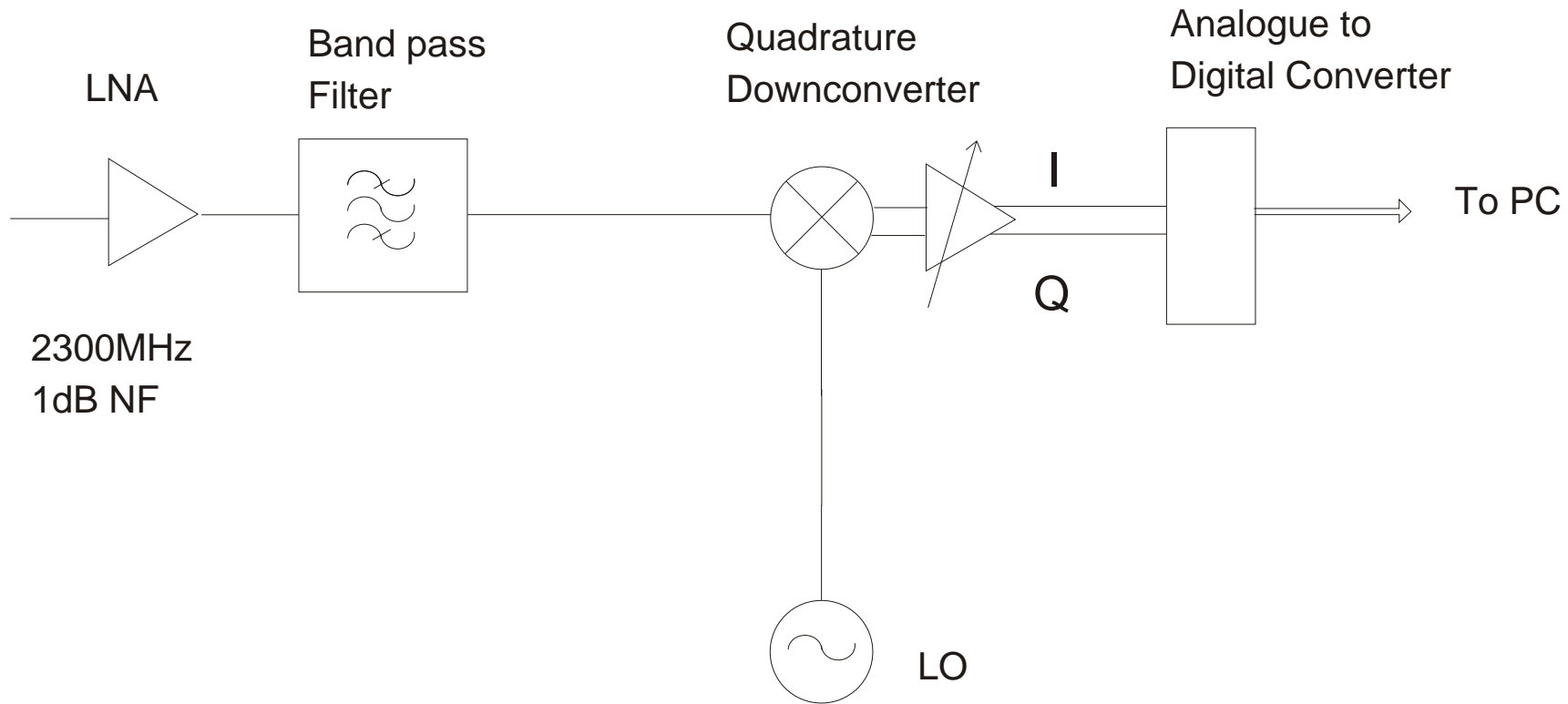


Software Defined Receiver



Low-noise amplifier, band-pass filter
and Local Oscillator all operate from 2300-2450MHz.